

# DIGITAL PANEL METERS

## Electrical measurements 20000 points VNE 20



VNE 20 panel meter are characterised by their high accuracy and resolution. They permit the measurement hold by external command and have an analog output. The dot position can be selected by external command.

- Dimensions : 96 x 24 mm
- Built-in line power supply
- Display : 14 mm red, green or yellow LED

### Functions

Function	Gauge	Resolution	Accuracy (1)	Input impedance	Remarks
DC Voltage	200 mV	100 $\mu$ V	0,05 % + 20 $\mu$ V	> 100 M $\Omega$	
	2 V	1 mV	0,05 % + 0.2 mV	> 100 M $\Omega$	
	20 V	10 mV	0,05 % + 20 mV	1,1 M $\Omega$	
	200 V	100 mV	0,05 % + 20 mV	1,1 M $\Omega$	
	650 V	1 V	0,05 % + 0,2 V	1,1 M $\Omega$	
Process signals with scaling	0 - 5 V	Display $\pm$ 20000 points	0,05 % of scale end + 2		The input and the scale are defined at the order and can't be modified by the user
	0 - 10 V	For scale begin and end			
	4 - 20 mA				
	0 - 20 mA				

(1) En  $\pm$  (% of reading + number of units) at 23  $\pm$  1°C for 1 year.

### General characteristics

**Display**.....  
20000 measurement points (4 ½ digits),  
Red, green or yellow LED,  
height : 14 mm, with brightness adjustment.

**Automatic polarity and zeroing.**

**Measurement rate**.....  
2.5 measurements per second

**Measurement hold and dot commutation**.....  
By external command

**Temperature coefficient**.....  
 $\leq (0.01 \% + 0.2) / ^\circ\text{C}$

**Analog output**.....  
On all models  
0.1 mV / digit, non isolated output.

**Common mode acceptable**.....  
250 V - or ~.

**Overload acceptable**.....  
250 V - or ~.

**Operating conditions**.....  
Nominal field of use : 0 to + 50 °C  
Limit field of use : -10 to + 50°C

**Rejection rate at 50 Hz**.....  
Serial mode : 80 dB  
Common mode : 140 dB

**Operating conditions**.....  
Nominal field of use : 0 to +50°C.  
RH : 20 to 80 % without condensation.  
Limit field of use : -10 to +50°C.

# DIGITAL PANEL METERS

## Power supply.....

230 V~ (± 10 %) 50 to 60 Hz

Other power supplies :  
 6 V- ± 20 % non insulated,  
 5 V- ± 10 % insulated,  
 9 to 18 V- insulated,  
 18 to 36 V- insulated,  
 36 to 72 V- insulated,  
 24 V~ ± 10 % insulated,  
 48 V~ ± 10 % insulated,  
 115 V~ ± 10 % insulated.

Other on request.

## Consumption.....

4VA max.

## Presentation.....

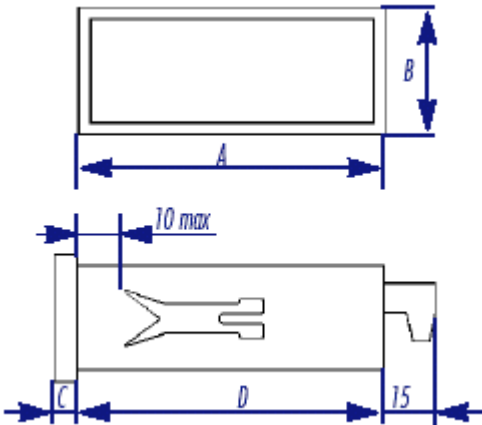
ABS case.  
 IP40 Impervious.  
 Weight : 300 g.

## Connection.....

Removable screwing connector

## Dimensions

Dimensions unit : mm



Case	A	B	C	D	Panel cut
96 x 24	96	24	5	103	$92^{+0.8}_0 \times 22.2^{+0.3}_0$

## Instructions to order

Digital panel meter VNE 20



References  
to refer above

Direct voltage

200 mV	.....	V12
2 V	.....	V13
20 V	.....	V14
200 V	.....	V15
650 V	.....	V16

Process signals with scaling  
(4-20 mA/0-10 V/0-5 V)

..... D20

Display

Red	.....	R
Green	.....	V
Yellow	.....	J

Power supply

6 V	.....	1
5 V	.....	2
9 to 18 V	.....	3
18 to 36 V	.....	4
36 to 72 V	.....	5
24 V	.....	6
115 V~	.....	7
230 V~	.....	8
48 V~	.....	9
Special	.....	0