



**BONN HUNGARY
ELECTRONICS**

**GSM DUAL BAND
900/1800 MHz
DIPLEXER**

**BFDP
Family
NDS # 850**

an ISO 9001 Certified Company



- **IDEAL FOR THE 900 / 1800 MHz GSM SYSTEMS**
- **HELPS TO SAVE CABLE COST**
- **ECONOMICAL PRICE**
- **COMPACT SIZE**

This duplex filter is a universal system building block. It is intended for use to separate or combine 900 MHz and 1800 MHz systems. Because of its low losses and compact size it can be used effectively in GSM communication systems for reducing the dual band assembling (cable) costs.

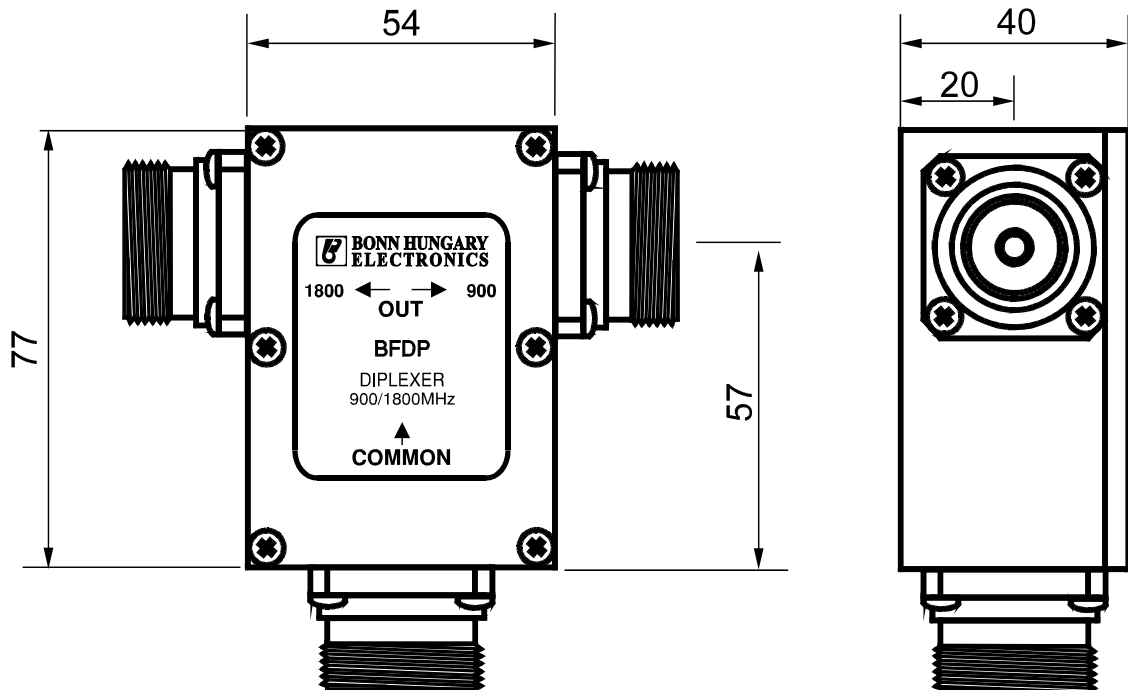
ELECTRICAL CHARACTERISTICS :

Frequency Band (*)	880 to 960 MHz	1710 to 1880 MHz
Insertion Loss (common to 900 MHz GSM port)	0.2 dB, max. 0.3 dB	< -50 dB
Insertion Loss (common to 1800 MHz GSM port)	< -50 dB	0.4 dB, max. 0.5 dB
Reflection	< -20 dB	< -20 dB
Max. Input Power	> 50 W	
Amplitude Balance	± 0.1 dB	
Connectors	7 / 16 - female	
Operating Temperature Range	- 30 to + 70 °C	
Application	Indoor or Outdoor (in waterproof housing)	

Specifications are subject to change without notice.

(*) Other frequency ranges are available upon request.

OUTLINE DIMENSIONS (mm):



BONN Elektronik
RF Systems, Instruments and Components



Rudolf-Diesel-Str.18 · D-85521 Ottobrunn · Tel +49 (0)89/608 754-0 · Fax +49 (0)89/608 754-99
email: info@bonn-elektronik.com · home: www.bonn-elektronik.com