



**BONN HUNGARY
ELECTRONICS**

**3 dB BROADBAND
800 - 2200 MHz
OUTDOOR SPLITTER**

BDEB19
NDS # 759

an ISO 9001 Certified Company



- **IDEAL FOR THE GSM/DCS/UMTS SYSTEMS**
- **3dB COUPLING**
- **HIGH POWER SPLITTER**
- **COMPACT SIZE**
- **OUTDOOR ASSEMBLY**
- **WITH INTERNAL TERMINATION**

This broadband directional coupler is a universal building block which is intended for use to split signals in the most common mobile systems. Due to its low losses and compact size it can be used effectively in these communication systems, also in outdoor environments.

ELECTRICAL CHARACTERISTICS :

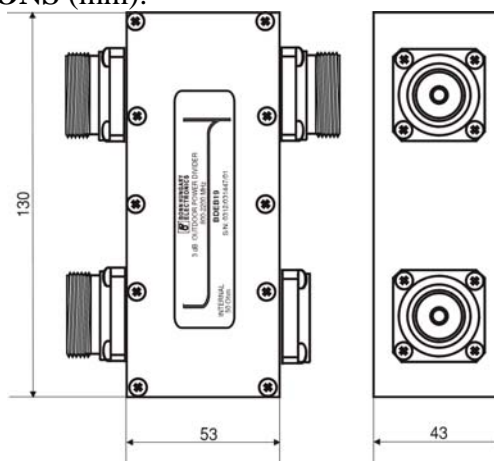
Frequency Band	800 to 2200 MHz
Nominal Coupling	3 dB
Coupling Ripple	< ± 0.5 dB
Insertion Loss (*)	< 0.2 dB typ., max. 0.4 dB
Isolation (Directivity)	> 25 dB typ., min. 20 dB
Reflection @ all port	< -25 dB typ., max. -20 dB
Measured 3th order IM products (**)	-145 dBc
Max. Input Power @ common port	100 W
Connectors	7/16 – female (N connector optional)
Operating Temperature Range	- 30 to + 70°C

(*) above the theoretical 3 dB coupling loss

Specifications are subject to change without notice.

(**) measured 2x40 dBm @ 950 MHz common input port

OUTLINE DIMENSIONS (mm):



BONN Elektronik 
RF Systems, Instruments and Components

Rudolf-Diesel-Str.18 · D-85521 Ottobrunn · Tel +49 (0)89/608 754-0 · Fax +49 (0)89/608 754-99
email: info@bonn-elektronik.com · home: www.bonn-elektronik.com