



**BONN HUNGARY
ELECTRONICS**

**WIDEBAND
800 - 2500 MHz
2-WAY REACTIVE SPLITTER**

BHEB10
NDS # 711

an ISO 9001 Certified Company



- **2 WAY 0° REACTIVE POWER DIVIDER**
- **IDEAL FOR BROADBAND APPLICATIONS**
- **COMPETITIVE PRICE**
- **MULTIPLE ANTENNA FEED**

This broadband Power Splitter is a universal system building block. It is intended for use in the 900/1800 MHz GSM, DCS/ISM applications. It can be used for feeding multiple antennas in mobile communication systems.

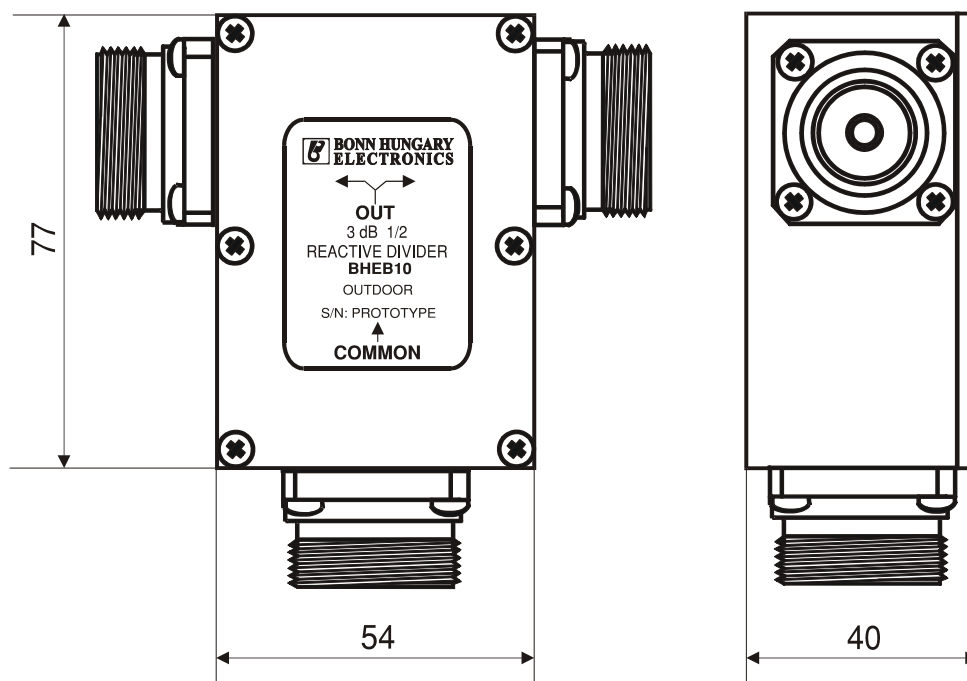
ELECTRICAL CHARACTERISTICS :

| | |
|--|------------------------|
| Frequency Band (*) | 800 to 2500 MHz |
| Reflection @ common port | < -20 dB typ. < -25 dB |
| Insertion Loss (over theoretical 3 dB) | typ. 0.3 dB ± 0.3 dB |
| Divider Max. Input Power | 100 W |
| Amplitude Balance | ± 0.2 dB |
| Connectors | 7/16 - female |
| Operating Temperature Range | - 30 to + 70°C |

(*) Other frequency ranges are available upon request.

Specifications are subject to change without notice.

OUTLINE DIMENSIONS (mm):



BONN Elektronik 
RF Systems, Instruments and Components

Rudolf-Diesel-Str.18 · D-85521 Ottobrunn · Tel +49 (0)89/608 754-0 · Fax +49 (0)89/608 754-99
email: info@bonn-elektronik.com · home: www.bonn-elektronik.com